

bar

- 1 piece plywood, $\frac{5}{8}$ " x 42" x $58\frac{3}{4}$ " (front)
- 2 pieces plywood, $\frac{1}{2}$ " x $23\frac{3}{8}$ " x $58\frac{3}{4}$ " (shelves)
- 1 piece plywood, $\frac{1}{2}$ " x 18" x 63" (counter)
- 4 pieces, 2" x 3" x $58\frac{3}{4}$ " (shelves)
- 2 pieces, 2" x 3" x $20\frac{3}{8}$ " (upper shelf)
- 2 pieces, 2" x 3" x $19\frac{7}{8}$ " (lower shelf)
- 2 pieces, 2" x 3" x $16\frac{1}{2}$ " (counter)
- 1 piece, 2" x 3" x 63" (counter)
- 1 piece, 2" x 3" x 60" (counter)
- fabric, 42" x 60" (front)
- 4 boards, colonial style, $4\frac{1}{2}$ " x 42" (front)

- 3 boards colonial style $4\frac{1}{2}$ " x 14" (base) with moulding
- 2 boards colonial style $4\frac{1}{2}$ " x $18\frac{3}{4}$ " (counter) with mouldings,
- 1 board colonial style $4\frac{1}{2}$ " x $64\frac{1}{2}$ " (counter) with moulding
- 1 piece laminate, 63" x 18"
- 2 pieces masonite, $25\frac{1}{4}$ " x $30\frac{1}{2}$ "
- 2 double guides for sliding doors, 60"

Construction

Prepare materials as per cutting list. Assemble the 2" x 3" pieces into three rectangles whose dimensions are 63" x 18", $22\frac{7}{8}$ " x $58\frac{3}{4}$ ", and $23\frac{3}{4}$ " x $58\frac{3}{4}$ ".

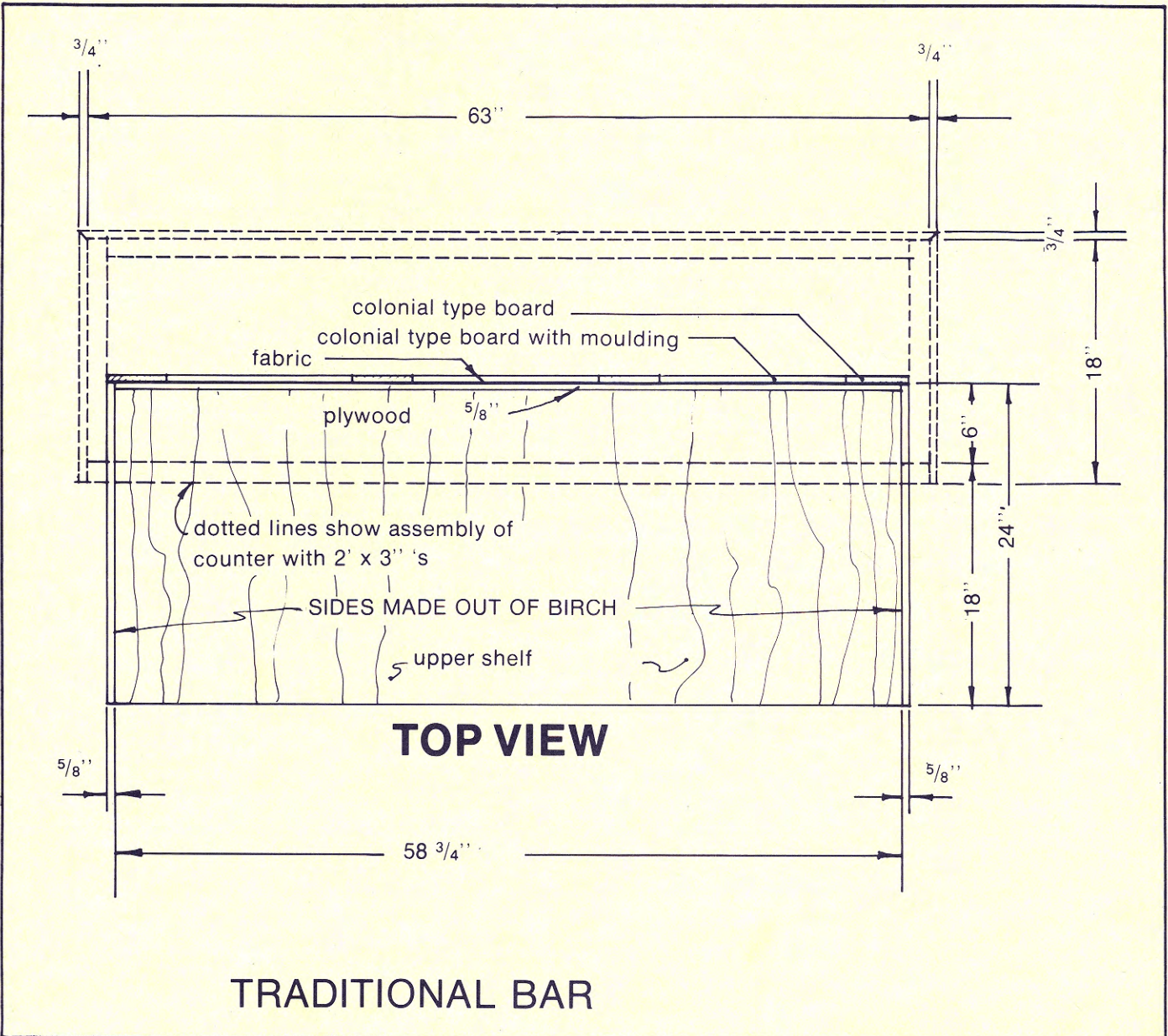
Nail the sides with the 2" x 3" pie-

ces and the front part. Staple fabric onto the front face and nail the colonial style crossmember boards in place.

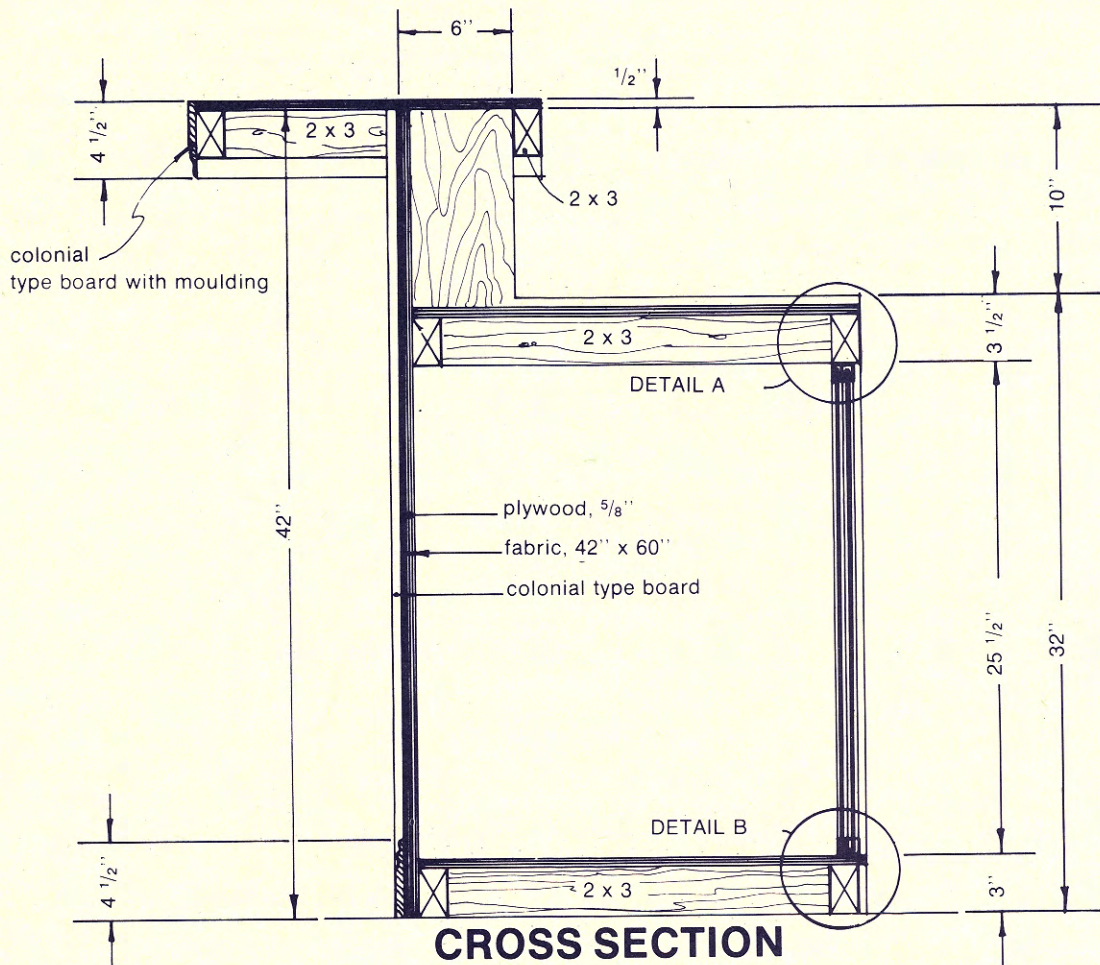
Make the counter with the 2" x 3" pieces and $\frac{1}{2}$ " plywood pieces. Attach sides and top. Then glue the laminated plastic to the plywood and finish edges with colonial boards.

Nail shelves and screw the guides for the sliding doors taking care to set the masonite in place before installing the doors.

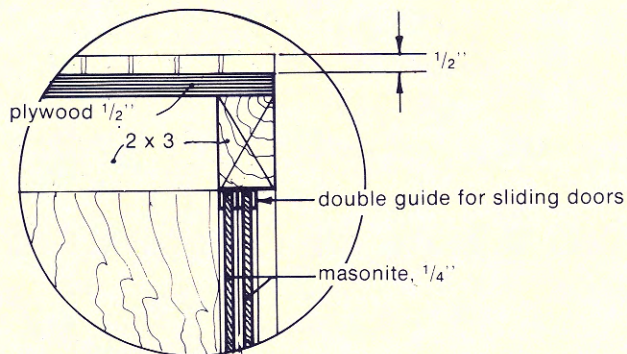
Finish the wood with the product of your choice and your bar is now completed.



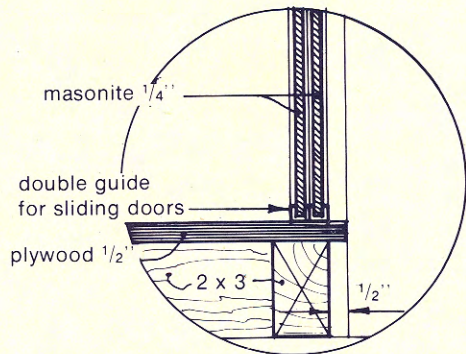
CONSTRUCTION



TRADITIONAL BAR



DETAIL A



DETAIL B