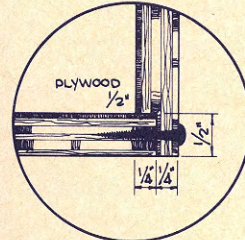
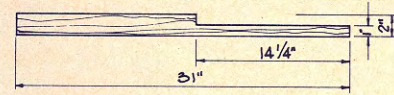


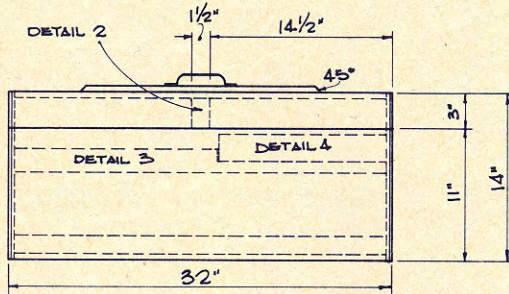
TOP VIEW



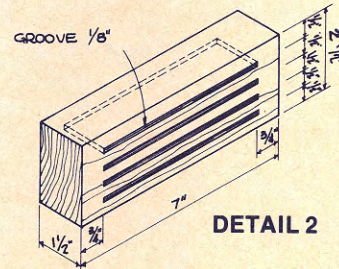
DETAIL 1



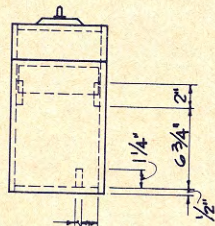
DETAIL 3



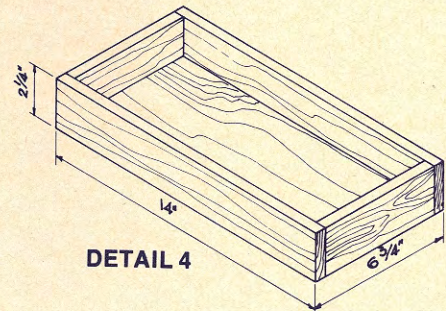
FRONT VIEW



DETAIL 2



SIDE VIEW



DETAIL 4

A tool chest is a very important item for a workshoper. Many types of tool chests are available on the market but most are expensive and usually don't have all the features you need.

The chest suggested here is designed specifically to satisfy the needs workshoppers express most often.

Made of 1/2" inch thick plywood (use the material of your choice) it contains

many compartments and is spacious enough to hold even a large framing square. As a finish, you can paint it or varnish it.

Materials

- 1 sheet plywood 1/2" x 4'-0" x 8'-0"
- 1 box #6 Robertson roundhead screws 1"
- 1 lift handle approximately 1" x 4"

- 1 right side cover support
- 2 T hinges 4"
- 2 suitcase hasps.

Rough cutting

A) Cover

- 2 pieces plywood 1/2" x 3" x 8" (sides)
- 2 pieces plywood 1/2" x 3" x 31 1/2" (front)